

1 2 3 4 5 6 7 8

A

B

C

D

E

F

G

H

A

B

C

D

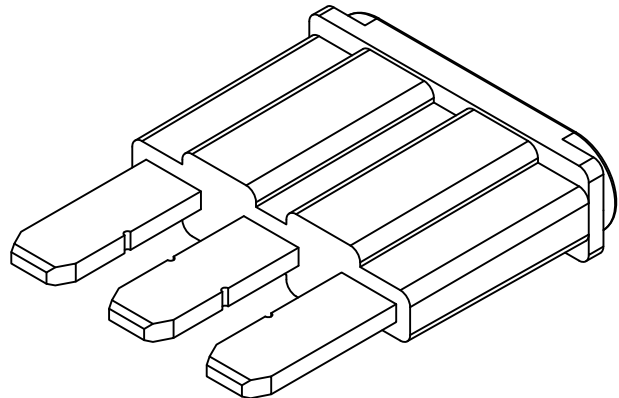
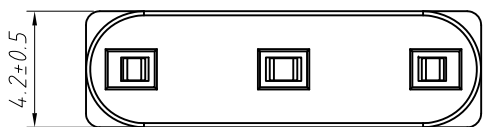
E

F

G

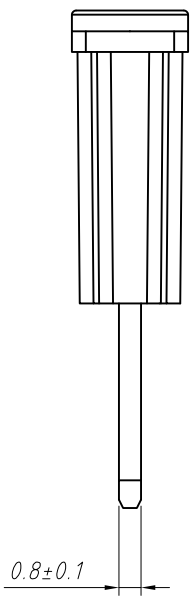
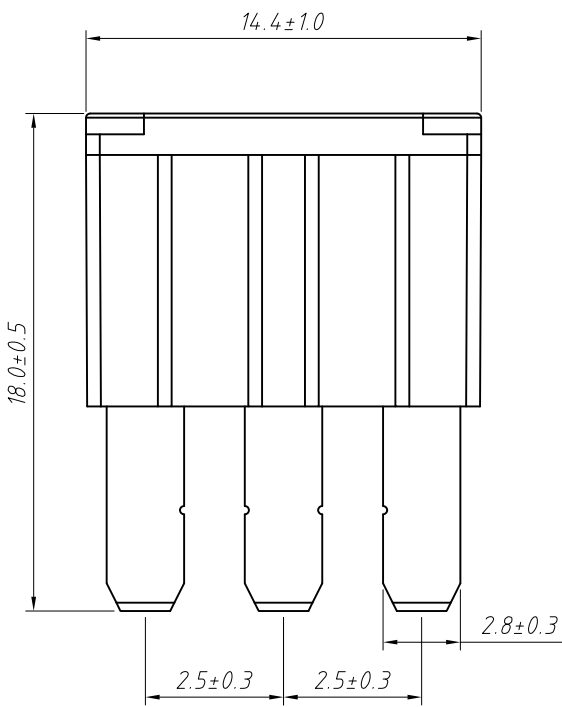
H

| Part Number       | Current Rating | Housing Color |
|-------------------|----------------|---------------|
| L-KLS5-269E-005-A | 5A             | Orange        |
| L-KLS5-269E-008-A | 7.5A           | Brown         |
| L-KLS5-269E-010-A | 10A            | Red           |
| L-KLS5-269E-015-A | 15A            | Blue          |



Characteristics:  
 Voltage Rating: 32V DC  
 Current Rating: 5A ~ 15A  
 Operating Temperature: -40°C to +125°C

Material:  
 Body: PC, UL94-V2  
 Contact: Zinc Alloy



**Time-Current Characteristics**

| % of Rating | Opening Time  |
|-------------|---------------|
| 110         | >360,000s     |
| 135         | 0.75 to 1800s |
| 200         | 0.15 to 5s    |
| 350         | 0.04 to 0.5s  |
| 600         | 0.02 to 0.1s  |

| GENERAL TOLERANCE | PROJECTION |            | Description:                    |
|-------------------|------------|------------|---------------------------------|
| X. ±1.00          | UNITS      | mm         | 32V Micro3 Blade Fuse           |
| .X ±0.50          | SCALE      | 3:1        |                                 |
| .XX ±0.30         | Draw by:   | Daniel     |                                 |
| ANGLE TOLERANCE   | Check by:  | Daniel     | KLS P/N: L-KLS5-269E-XX-A       |
| X. ±5°            | Date       | 2022-09-01 | NingBo KLS ELECTRONIC CO.,L TD. |
| .X ±3°            | SHEET      | 1 OF 1     |                                 |
| .XX ±2°           |            |            |                                 |

1 2 3 4 5 6 7 8